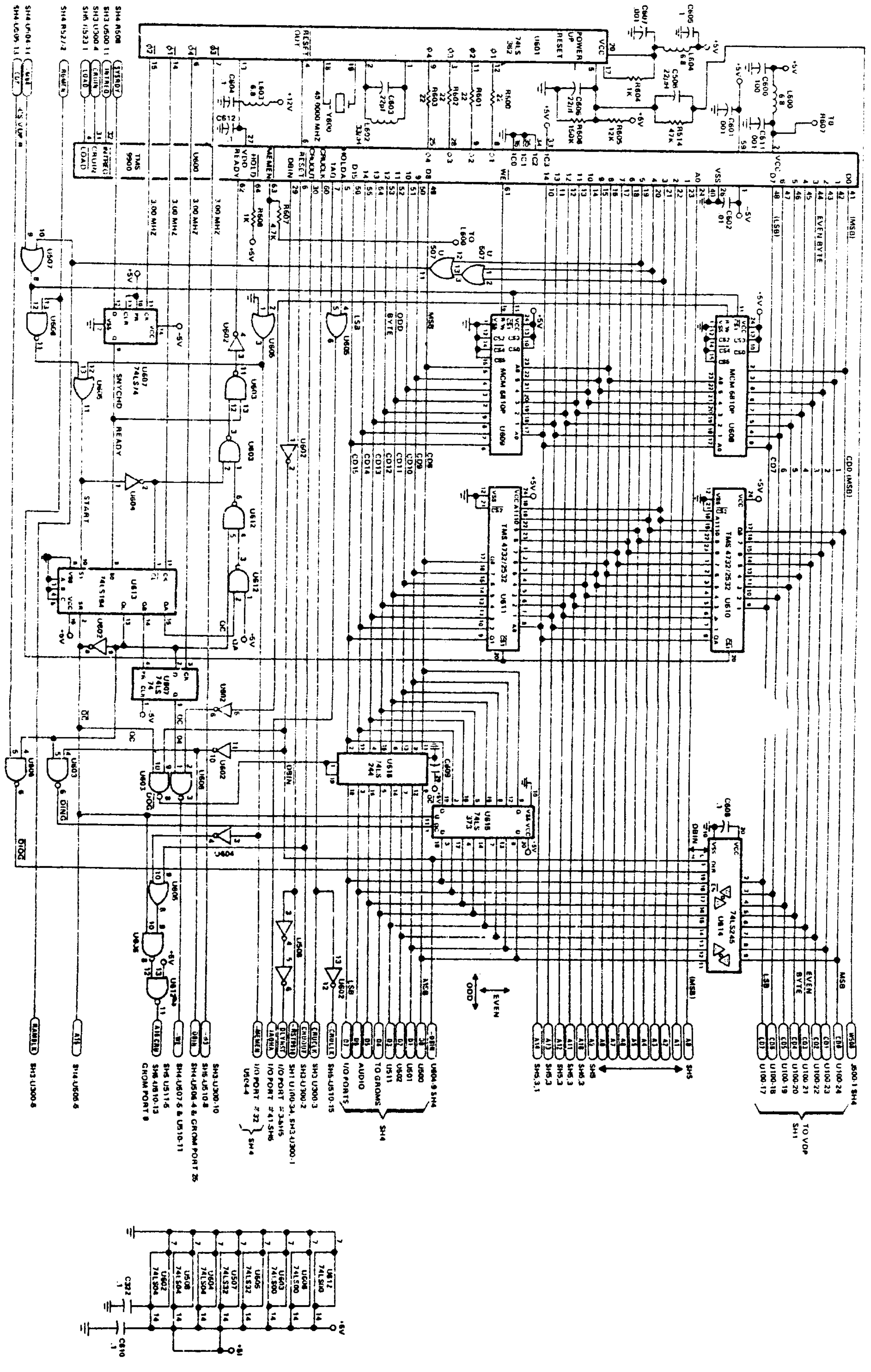
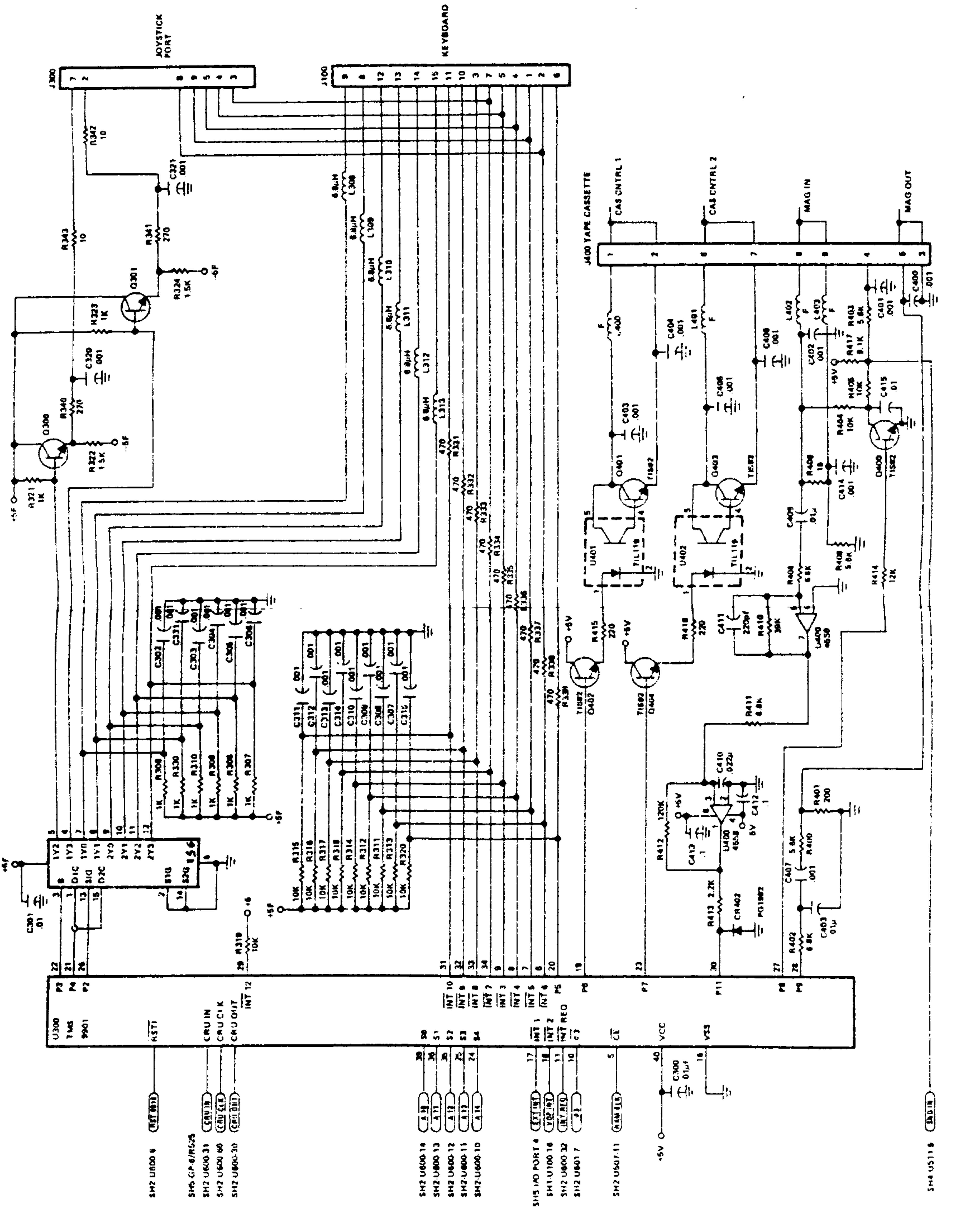


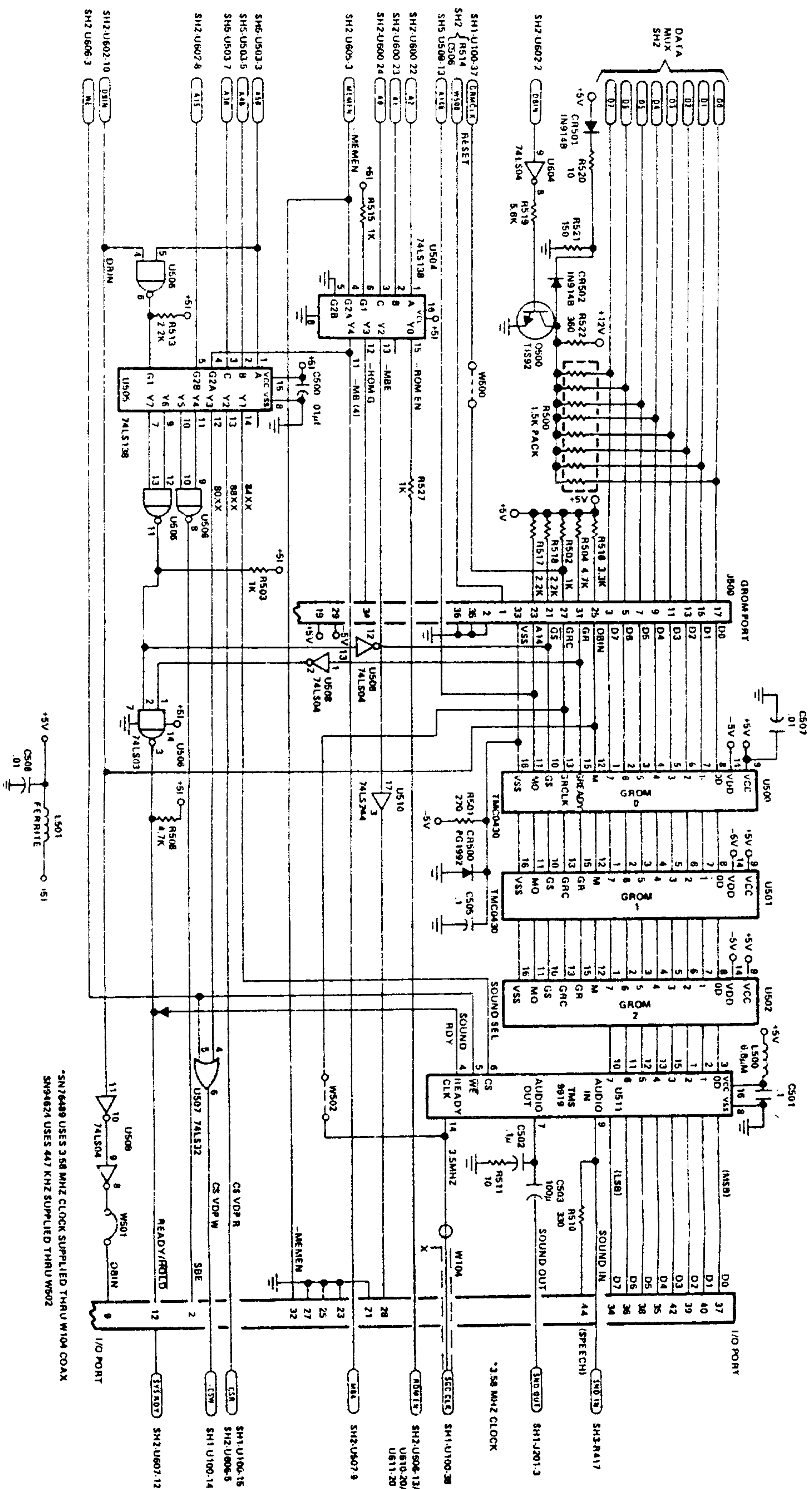
- SH4-U507-6 CSW
- SH4-U508-13 CSW
- SH2-U600-10 -A16
- SH3-UJ00-18 (VOP,INT)
- SH2-U600-41 CR
- SH2-U600-42 ED
- SH2-U600-43 CD
- SH2-U600-44 ED
- SH2-U600-46 ED
- SH2-U600-48 ED
- SH2-U600-47 CD
- SH2-U600-48 CD

- SH4-U101-3 GRMCK
- SH2-U601-4 -RST9918
- SH4-U511-14 SGCK

SH4-U503





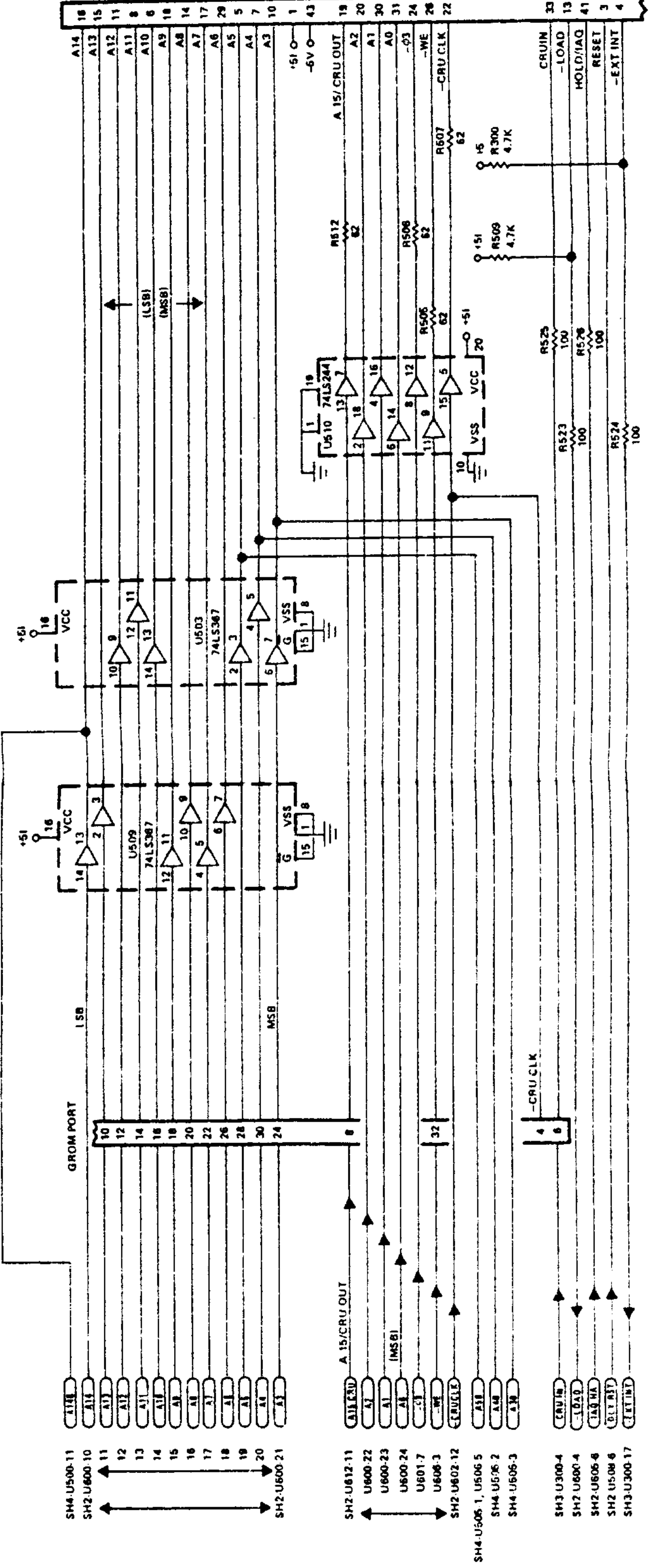


*SN76489 USES 3.58 MHZ CLOCK SUPPLIED THRU W104 COAX
 *SN94624 USES 447 KHZ SUPPLIED THRU W502

*3.58 MHZ CLOCK

I/O PORT

I/O PORT



- SH4-U500-11
- SH2-U600-10
- A14
- A13
- A12
- A11
- A10
- A9
- A8
- A7
- A6
- A5
- A4
- A3
- A1
- SH2-U600-21

- A15/CRU OUT
- A1
- A1
- A1
- A1
- 03
- WE
- CRUCLK
- A15
- A4
- A10

- SH3-U300-4
- SH2-U600-4
- SH2-U606-6
- SH2-U508-6
- SH3-U300-17

SH4-U506-1, U506-5
SH4-U506-2
SH4-U506-3

GROM PORT

- 10
- 12
- 14
- 16
- 18
- 20
- 22
- 26
- 28
- 30
- 24
- 8

A 15/CRU OUT

IMSBI

32

-CRUCLK

CRUIN

-LOAD

IAQNA

DLT INT

EXT INT

LSB

MSB

A14

A13

A12

A11

A10

A9

A8

A7

A6

A5

A4

A3

A2

A1

A0

-03

-WE

-CRUCLK

CRUIN

-LOAD

HOLD/IAQ

RESET

-EXT INT

(LSB)

(MSB)

16

15

11

8

6

18

14

17

29

5

7

10

1

43

SH4-U500-11

SH2-U600-10

A14

A13

A12

A11

A10

A9

A8

A7

A6

A5

A4

A3

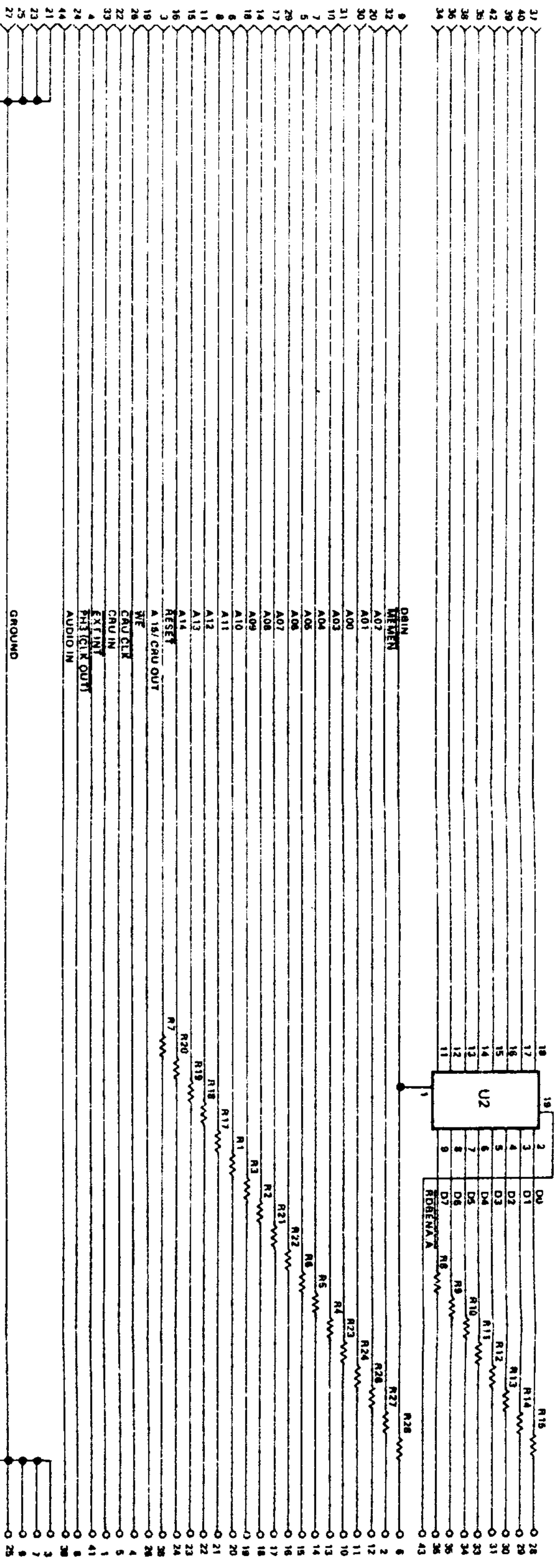
A1

SH2-U600-21

SH4-U506-1, U506-5
SH4-U506-2
SH4-U506-3

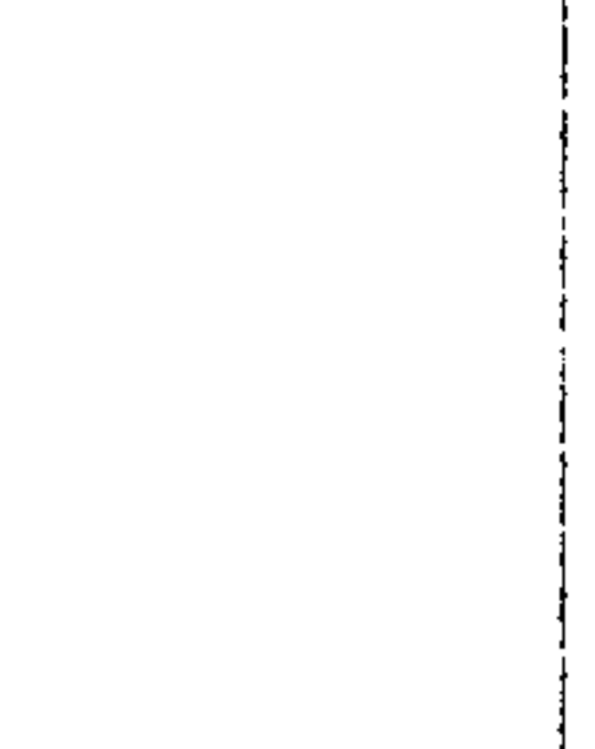
SH3-U300-4
SH2-U600-4
SH2-U606-6
SH2-U508-6
SH3-U300-17

P1
09/4 (A)
I/O BUS

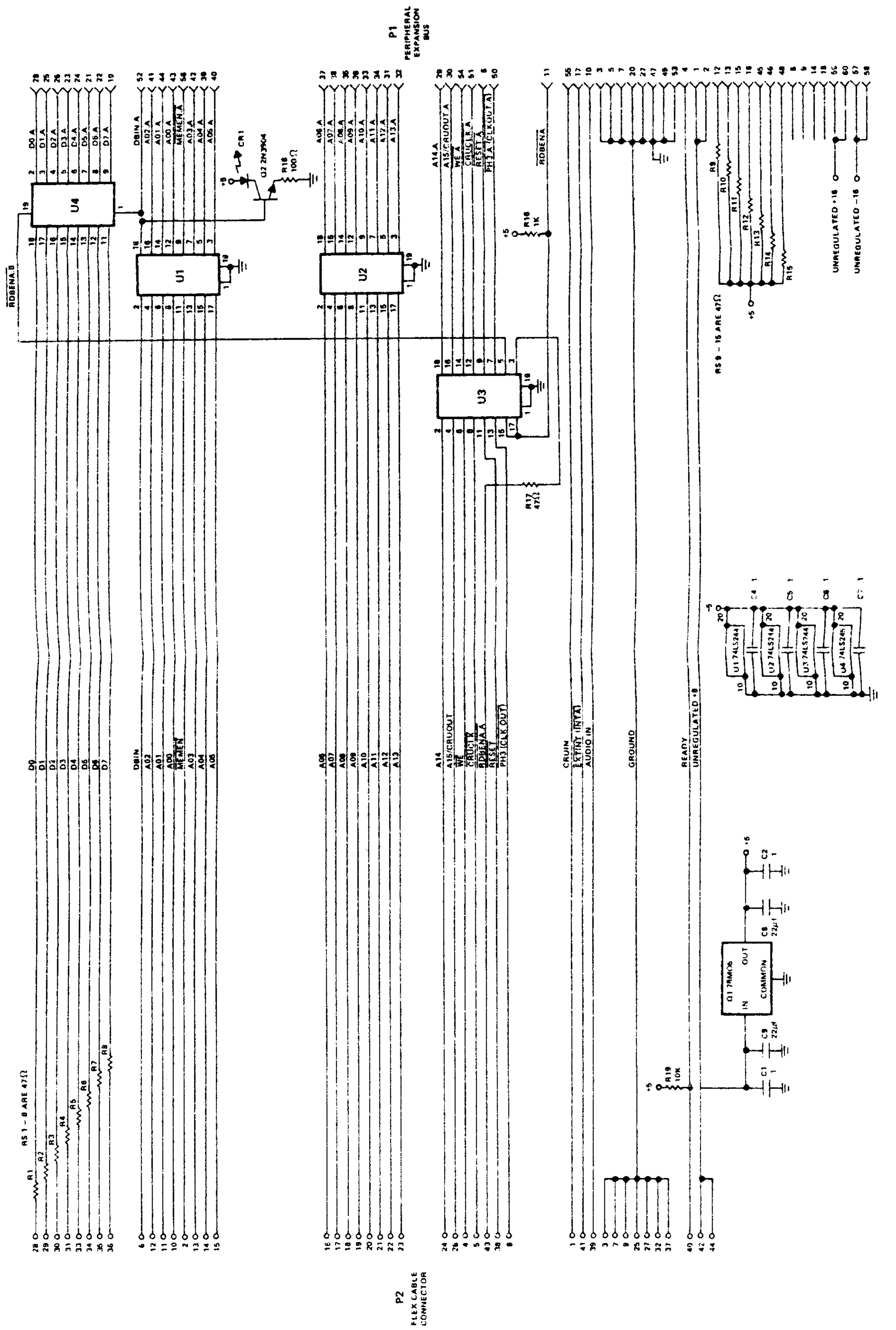


12 MBE
26 F/TAO
41 F/OAD
13 SBE
2 .6V
43 .5V
1

NOTE ALL RESISTORS ARE 47Ω



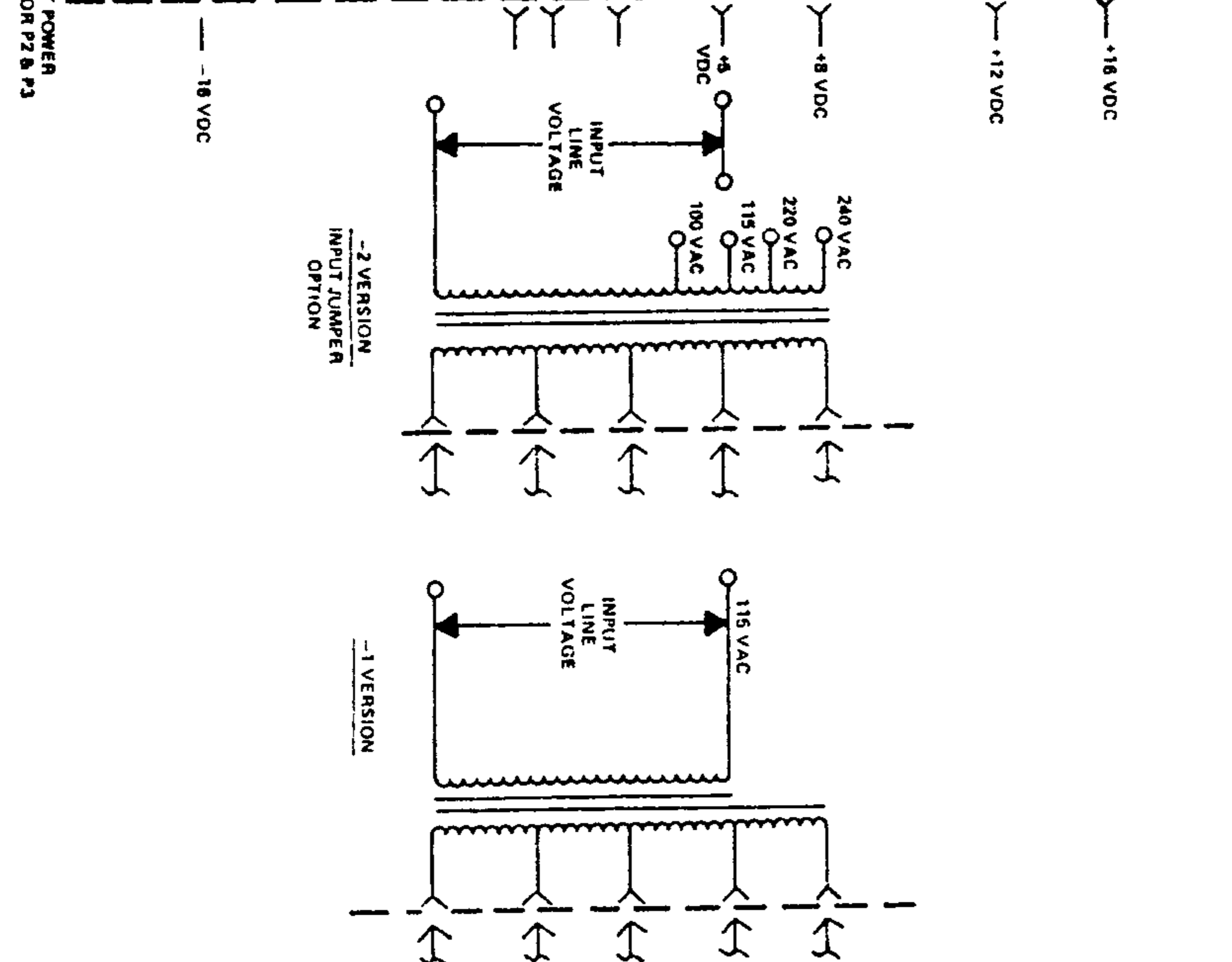
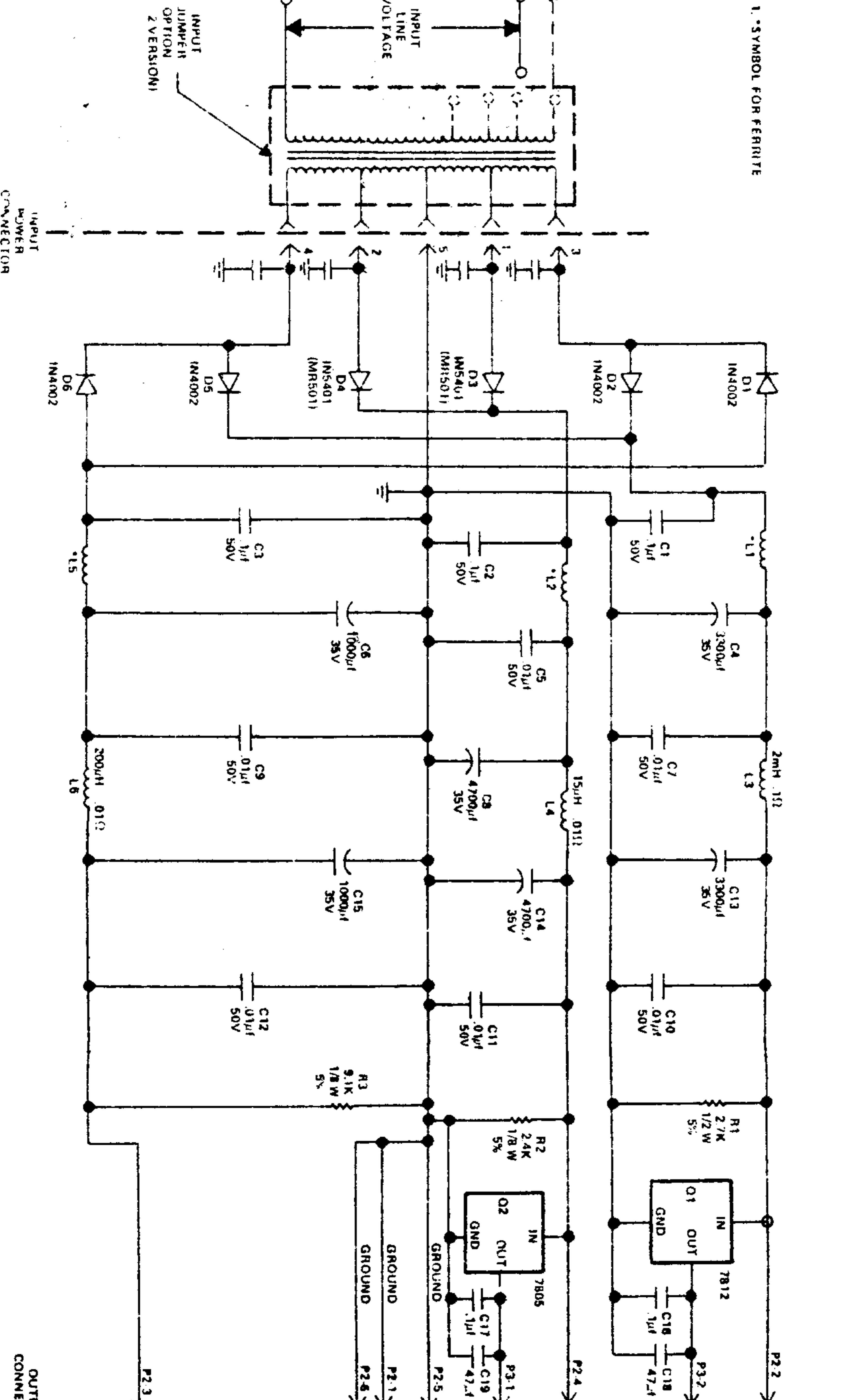
P2
FLEX CABLE
CONNECTOR

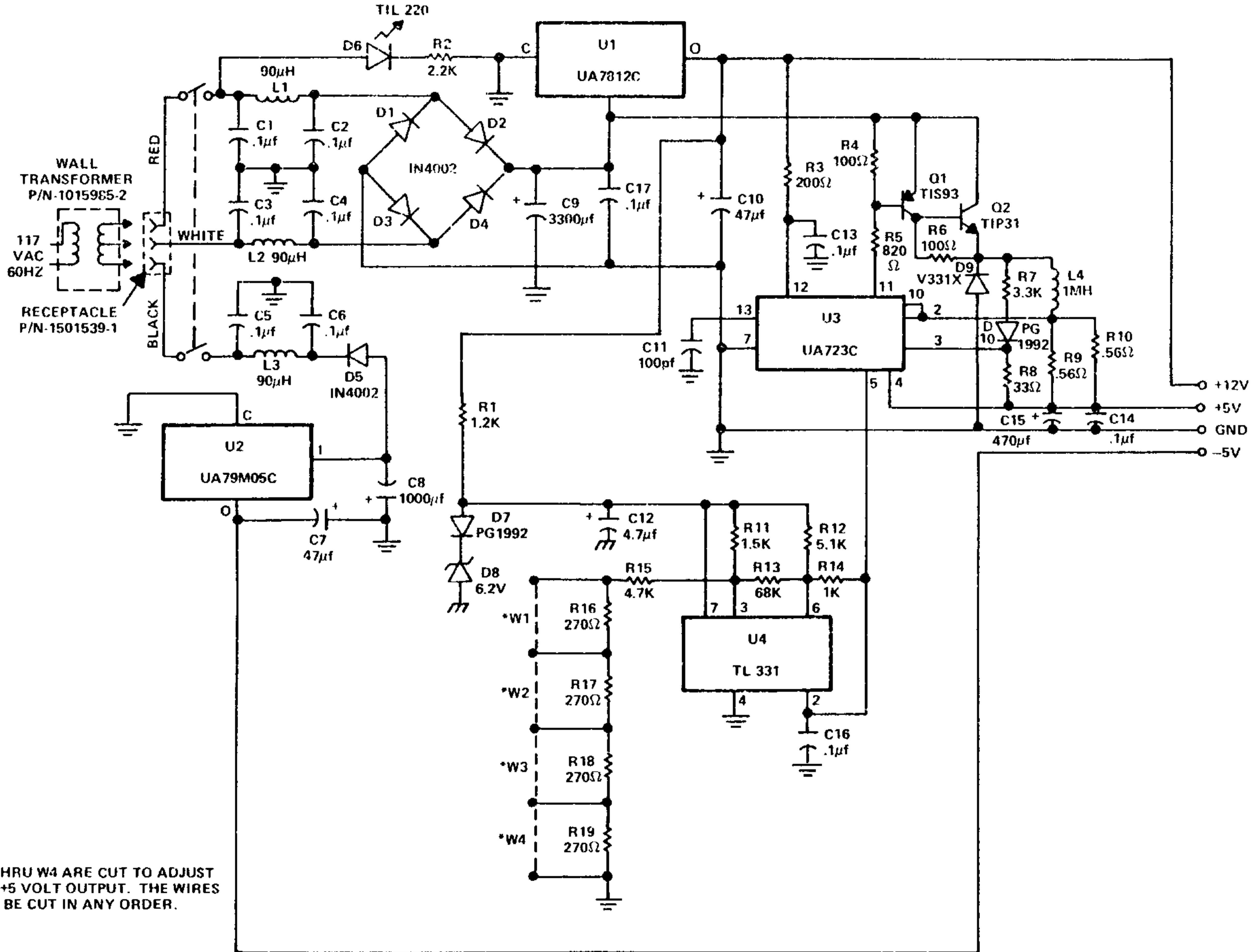


P2
FLEX CABLE
CONNECTOR

P1
PERIPHERAL
EXPANSION
BUS

1. SYMBOL FOR FERRITE





*W1 THRU W4 ARE CUT TO ADJUST THE +5 VOLT OUTPUT. THE WIRES MAY BE CUT IN ANY ORDER.